

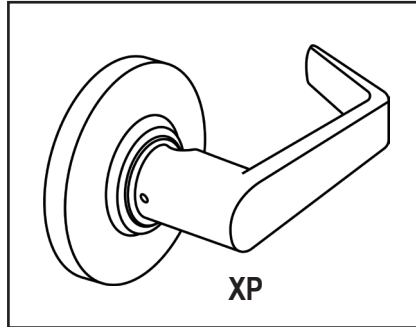
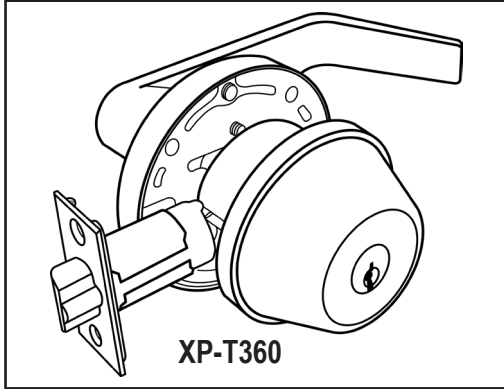
EXPLORER XP Series

HEAVY DUTY CYLINDRICAL LEVERSETS

ANSI - A156.2, Series 4000, Grade 2

⚙️ Optional Interchangeable Core for **Best, Falcon and Arrow**

QUANTITY DISCOUNT
50 UNITS MIXED ▶▶ LESS 5%
100 UNITS MIXED ▶▶ LESS 10%



MEETS
The Buy American Act

LIFETIME WARRANTY

BHMA CERTIFIED
 Be Safe. Be Secure. Look for the Mark.

STOCK ITEM PRICES IN BOLD
 NON-STOCK FINISHES AND DESIGNS AVAILABLE WITH FACTORY LEAD TIME AND SUBJECT TO MINIMUM ORDER.

ANSI	FUNCTIONS	ITEM #	FINISH				PCS / MC
F109	Entrance	XP00	US26D	US26D	US10B, 10, 26, 4	US5, 15	10
		⚙️ ICXP00		US26D	US10B, 10, 26, 4		
F86	Storeroom	XP05		US26D	US10B, 10, 26, 4		
		⚙️ ICXP05		US26D	US10B, 10, 26, 4		
F84	Classroom	XP03		US26D	US10B, 10, 26, 4		
		⚙️ ICXP03		US26D	US10B, 10, 26, 4		
F76	Privacy (See below for split finishes)	XP20		US26D	US10B, 10, 26, 4		
---	Hospital Privacy	HXP20		US26D	US10B, 10, 26, 4		
F75	Passage	XP30		US26D	US10B, 10, 26, 4		
F89	Exit	XP50					
----	Single Dummy	XP40					

ANSI	FUNCTIONS	ITEM #	FINISH				PCS / MC
F86	Storeroom NEW ITEM	XP-T360-05 (2 3/8" Backset)	US26D	US3	US10B	US5, 15	10

⚙️ (IC) Indicates function available with **Best, Falcon and Arrow** Interchangeable Core. Prices do not include cores. For IC Core pricing see pages L109 – L110. For Keying charges see page L119.

◆ **SPLIT FINISHES FOR PRIVACY FUNCTION**

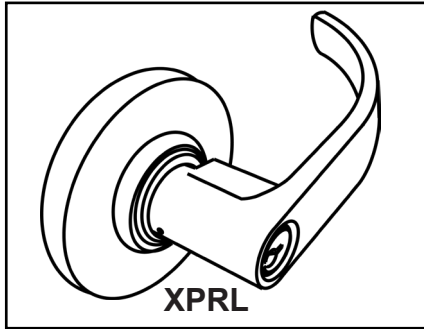
ILLUSTRATION	ITEM #	FUNCTIONS	ANSI	FINISH	PCS / MC
	XP20	Privacy	F76	US3 / 26D (Inside)	10
				US4 / 26 (Inside)	
				US10B / 26 (Inside)	
				US4 / 26D (Inside)	

EXPLORER XPRL Series List Price

HEAVY DUTY CYLINDRICAL LEVERSETS

ANSI - A156.2, SERIES 4000, GRADE 2

Optional Interchangeable Core for **Best, Falcon and Arrow**

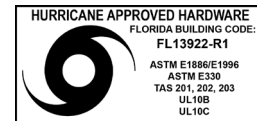


LIFETIME WARRANTY

BHMA CERTIFIED
Be Safe. Be Secure. Look for the Mark.

MEETS
The Buy American Act

QUANTITY DISCOUNT
50 UNITS MIXED ►► LESS 5%
100 UNITS MIXED ►► LESS 10%




STOCK ITEM PRICES IN BOLD
NON-STOCK FINISHES AND DESIGNS AVAILABLE WITH FACTORY LEAD TIME
AND SUBJECT TO MINIMUM ORDER.

FUNCTIONS	ANSI	ITEM #	FINISH		PCS / MC
			US26D	US10B	
Entrance	F109	XPRL00	US26D	US10B	US3 US10,4 26,15 10
		● ICXPRL00	US26D	US10B	
Storeroom	F91	XPRL05	US26D	US10B	
		● ICXPRL05	US26D	US10B	
Classroom	F84	XPRL03	US26D	US10B	
		● ICXPRL03	US26D	US10B	
Privacy (See below for split finishes)	F76	XPRL20	US26D	US10B	
Hospital Privacy	---	HXPRL20		US10B	
Passage	F75	XPRL30		US10B	
Exit	F89	XPRL50		US10B	
Single Dummy	----	XPRL40			
					20

● (IC) Indicates function available with **Best, Falcon and Arrow** Interchangeable Core. Prices do not include cores.
For IC Core pricing see pages L109 – L110. For Keying charges see page L119.

◆ **SPLIT FINISHES FOR PRIVACY FUNCTION**

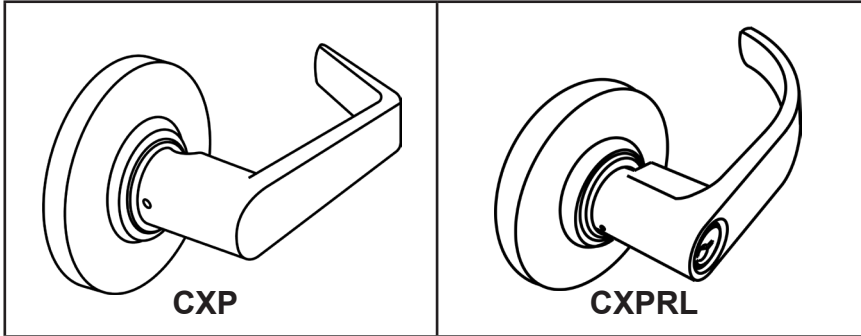
ILLUSTRATION	ITEM #	FUNCTIONS	ANSI	FINISH	PCS / MC
	XPRL20	Privacy	F76	US3 / 26D (Inside)	10
				US4 / 26 (Inside)	
				US10B / 26 (Inside)	
				US4 / 26D (Inside)	

EXPLORER CXP, CXPRL CLUTCH

HEAVY DUTY CYLINDRICAL LEVERSETS WITH CLUTCH

ANSI - A156.2, Series 4000, Grade 2

Ⓢ Optional Interchangeable Core for **Best, Falcon and Arrow**



MEETS
The Buy American Act

QUANTITY DISCOUNT
50 UNITS MIXED ▶▶ LESS 5%
100 UNITS MIXED ▶▶ LESS 10%

STOCK ITEM PRICES IN BOLD
NON-STOCK FINISHES AND DESIGNS AVAILABLE WITH FACTORY LEAD TIME
AND SUBJECT TO MINIMUM ORDER.

FUNCTIONS	ANSI	ITEM #	FINISH		PCS / MC
			US26D	US26D	
Entrance	F109	CXP00	US26D	US26D	US3 US10, 26, 4, 15, 5 10
		Ⓢ ICCXP00	US26D	US26D	
Storeroom	F91	CXP05	US26D	US26D	
		Ⓢ ICCXP05	US26D	US26D	
Classroom	F84	CXP03	US26D	US26D	
		Ⓢ ICCXP03	US26D	US26D	
Privacy	F76	CXP20	US26D	US26D	
Hospital Privacy	---	HCXP20	US26D	US26D	

FUNCTIONS	ANSI	ITEM #	FINISH		PCS / MC
			US26D	US10B	
Entrance	F109	CXPRL00	US26D	US10B	US3 US10, 26, 4, 15, 5 10
		Ⓢ ICCXPRL00	US26D	US10B	
Storeroom	F91	CXPRL05	US26D	US10B	
		Ⓢ ICCXPRL05	US26D	US10B	
Classroom	F84	CXPRL03	US26D	US10B	
		Ⓢ ICCXPRL03	US26D	US10B	
Privacy	F76	CXPRL20	US26D		
Hospital Privacy	---	HCXPRL20	US26D		

Ⓢ (IC) Indicates function available with **Best, Falcon and Arrow** Interchangeable Core. Prices do not include cores.
For IC Core pricing see pages L109 – L110. For Keying charges see page L119.

► **EXPLORER SERIES PACKAGING INCLUDES**

- UL Listed 2 3/4" Backset
- UL Listed 2 3/8" Backset for **XP-T360**
- 2 1/4" x 1" Faceplate, Square corner, packed with 1/8" filler for 1 1/8" width
- Standard "C", 6-pin cylinder
- ASA Strike
- Adapter Ring for 1 3/4" doors, Part # **ADPXP-134**
- Optional Adapter Ring for 1 3/8" doors, Part # **ADPXP-138**

► **MOUNT**

2 hole wooden mount Part # **SLMOUNT**. \$68.85 List each

► **TACTILE / LEAD LINING**

Lead Lining Part # **LEAD** Add \$137.65 List
Tactile Part # **TAC** Add \$28.05 List

●► **IC CORES, KEYING CHARGES**

For IC Core pricing see pages **L109 – L110**
For Keying charges see page **L119**.

► **KEYWAYS**

6-pin solid brass "C" keyway standard. Optional: Schlage E, Schlage C-K, Russwin D1-2-3-4, Corbin 59 / 60, Corbin-Russwin L4, Sargent LA-LB-LC, Falcon / Weiser E, Arrow A, Yale 8, Yale GA and Kwikset. Can also accept Medeco, Assa, Kaba and **Cal-Royal HSK** High Security Cylinders. See page **L119** for keying charges and Cylinder PART #.

► **ADDITIONAL PARTS & CHARGES FOR EXPLORER SERIES**

Backsets: UL listed 2 3/8", (2 1/4" x 1") faceplate, **NO EXTRA CHARGE** if ordered with lock only. Otherwise \$12.40 List Each.

◆◆◆ STANDARD DISCOUNT ONLY ◆◆◆			
ILLUSTRATION	ITEM#	DESCRIPTION	FINISH
	ULSLD238	XP Series UL-listed 2 3/8" Dead Latch, 2 1/4" x 1" Faceplate	US3, 26D, 10B, 10, 26
	ULSLS238	XP Series UL-listed 2 3/8" Spring Latch, 2 1/4" x 1" Faceplate	
	SLDRI-1	2 3/4" Entrance, Drive-in Latch bolt for G2 Lockset	ZINC
	SLDRI-2	2 3/4" Privacy / Passage, Drive-in Latch bolt for G2 Lockset	
	SLDRI-4	2 3/8" Entrance, Drive-in Latch bolt for G2 Lockset	
	SLDRI-5	2 3/8" Privacy / Passage, Drive-in Latch bolt for G2 Lockset	
TAIL PIECE			
	ICTP-03	6-pin Tail Piece for IC Explorer Series	----
	ICTP-04	7 Pin Tail Piece for IC Explorer Series	
	ICTP-05	6-pin Tail Piece for ICXP03 Explorer Series Classroom Function Only	
	ICTP-06	7 Pin Tail Piece for ICXP03 Explorer Series Classroom Function Only	
EXTRA UL LISTED BACKSET			
	ULSLD234	XP Series 2 3/4" Dead Latch, 2 1/4" x 1 1/8" Faceplate	US26D, 10B
	ULSLS234	XP Series 2 3/4" Spring Latch, 2 1/4" x 1" Faceplate	
3 3/4", 5" UL LISTED BACKSET			
	SL5	5" UL listed Extension Link	----
	SLD334	3 3/4" Dead latch, 2 1/4" x 1 1/8" Faceplate	US3, 26D, 10B
	SLS334	3 3/4" Spring Latch, 2 1/4" x 1 1/8" Faceplate	
STRIKES			
	TS	T-Strike	US3, 4, 26D, 26 10B, 10, 15
	FLS	Full lip strike	US3, 4, 26D, 26, 10B, 10, 15, 5
ADAPTER RING FOR XP-T360			
	ADPXP-134	XP-T360 Adapter Ring for 1 3/4" doors. Standard Packaging.	US26D, US10B
	ADPXP-138	Optional XP-T360 Adapter Ring for 1 3/8" doors	