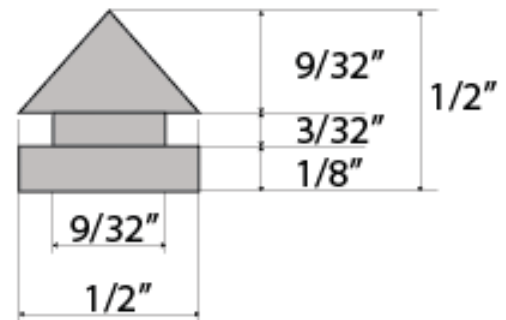
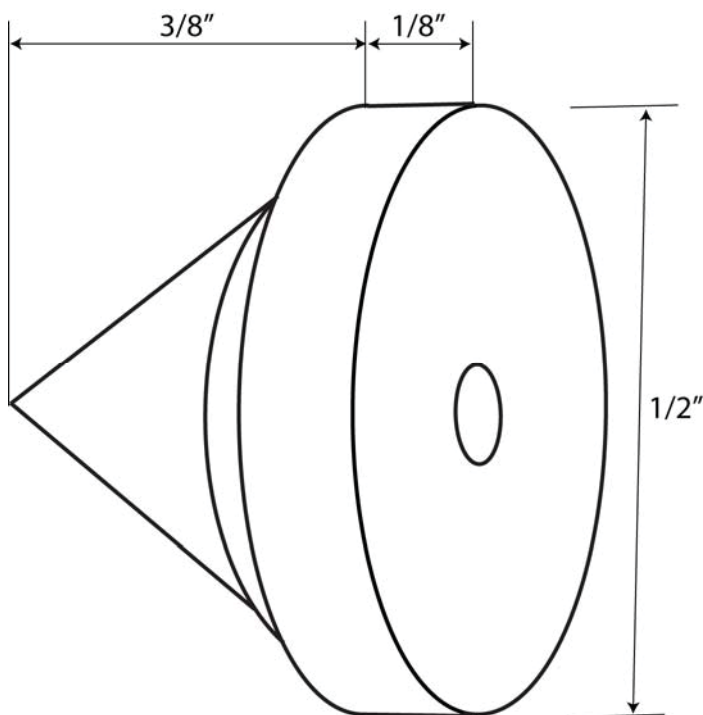
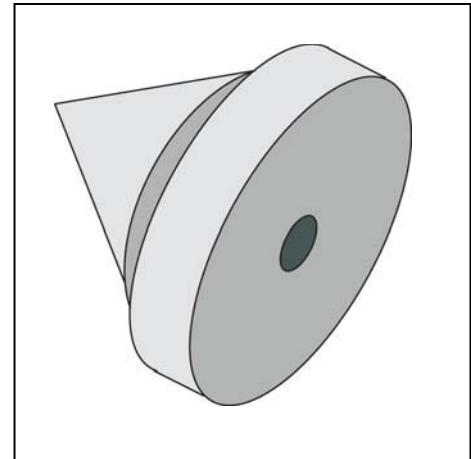


DSM21

Metal Frame Door Silencer

- ⊙ Absorbs shock and reduce noise of door closing
- ⊙ Prevents door rattling
- ⊙ Provides tension for door latches/locks
- ⊙ Tamper-proof
- ⊙ Packed in bags of 200
- ⊙ Conforms to ANSI/BHMA 156.16, L03011
- ⊙ Finish: Grey



NOTE: Drill 9/32" diameter hole on frame.

Cal-Royal Products, Inc.

6605 Flotilla St., City of Commerce, CA 90040 U.S.A.

Phone: (323) 888-6601 • (800) 876-9258 • Fax: (323) 888-6699 • (800) 222-3316

Email: sales@cal-royal.com • Website: www.cal-royal.com



The illustration and technical description in this Specification Sheet is current as of the date in the version box above. Cal-Royal Product reserves the right to, and may frequently make changes and/or improvements in designs and dimensions.