

SOLID BRASS SQUARE BARREL HINGE, FULL MORTISE, TEMPLATE HOLE PATTERN

Features

- Used with Square Edge Doors Only
- Contemporary Square Barrel Design
- Removable Pin
- Easy Installation
- Non-Handed

Size

- **SQH-45** - 4 1/2" x 4 1/2"
- **SQH-44** - 4" x 4"
- **SQH-35** - 3 1/2" x 3 1/2"

Gauge

- 0.180"

Material

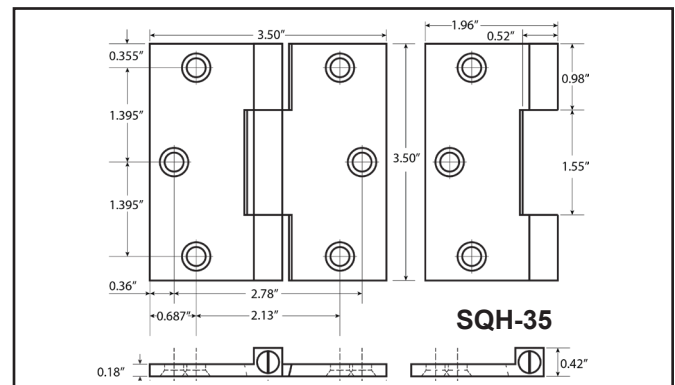
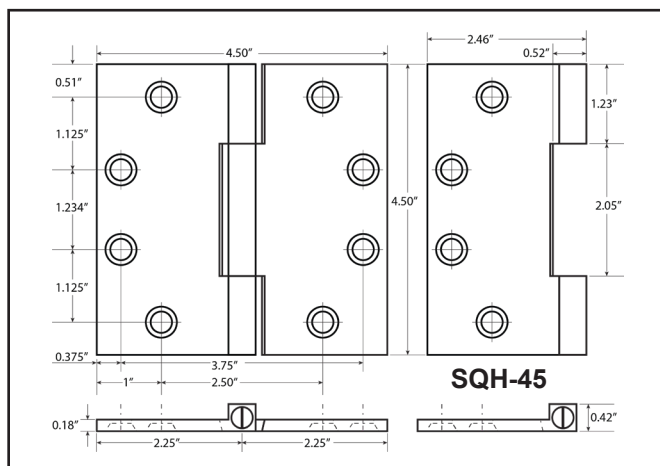
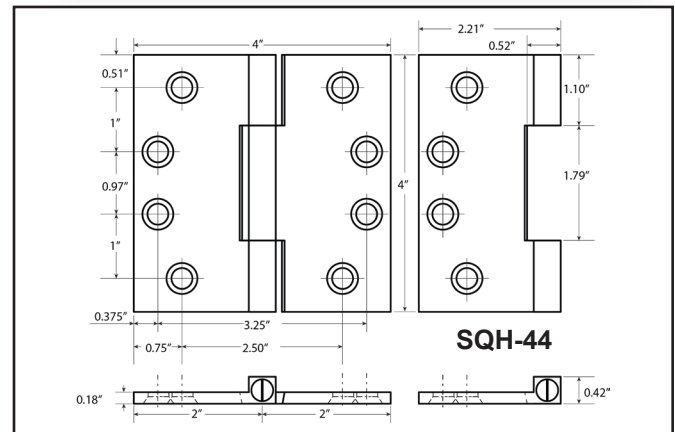
- Solid Brass

Finishes

- US10B - Oil Rubbed Bronze
- US15 - Satin Nickel
- US26 - Bright Chrome
- US26D - Satin Chrome

Fasteners

- 1 1/4" x # 12 wood screws for SQH-45 and SQH-44
- 1" x # 10 wood screws for SQH-35



CAL ROYAL PRODUCTS, INC.

6605 Flotilla St., City of Commerce, CA 90040 U.S.A.
 Phone: (323) 888-6601 • (800) 876-9258 • Fax: (323) 888-6699 • (800) 222-3316
 Email: sales@cal-royal.com • Website: www.cal-royal.com

The illustration and technical description in this cut sheet is current as of the date in the version date on the right. Cal-Royal Product reserves the right to, and may, on occasions, make changes and/or improvements in designs and dimensions without prior notice.

2018 / VERSION 01

© Cal-Royal Products, Inc. 2018