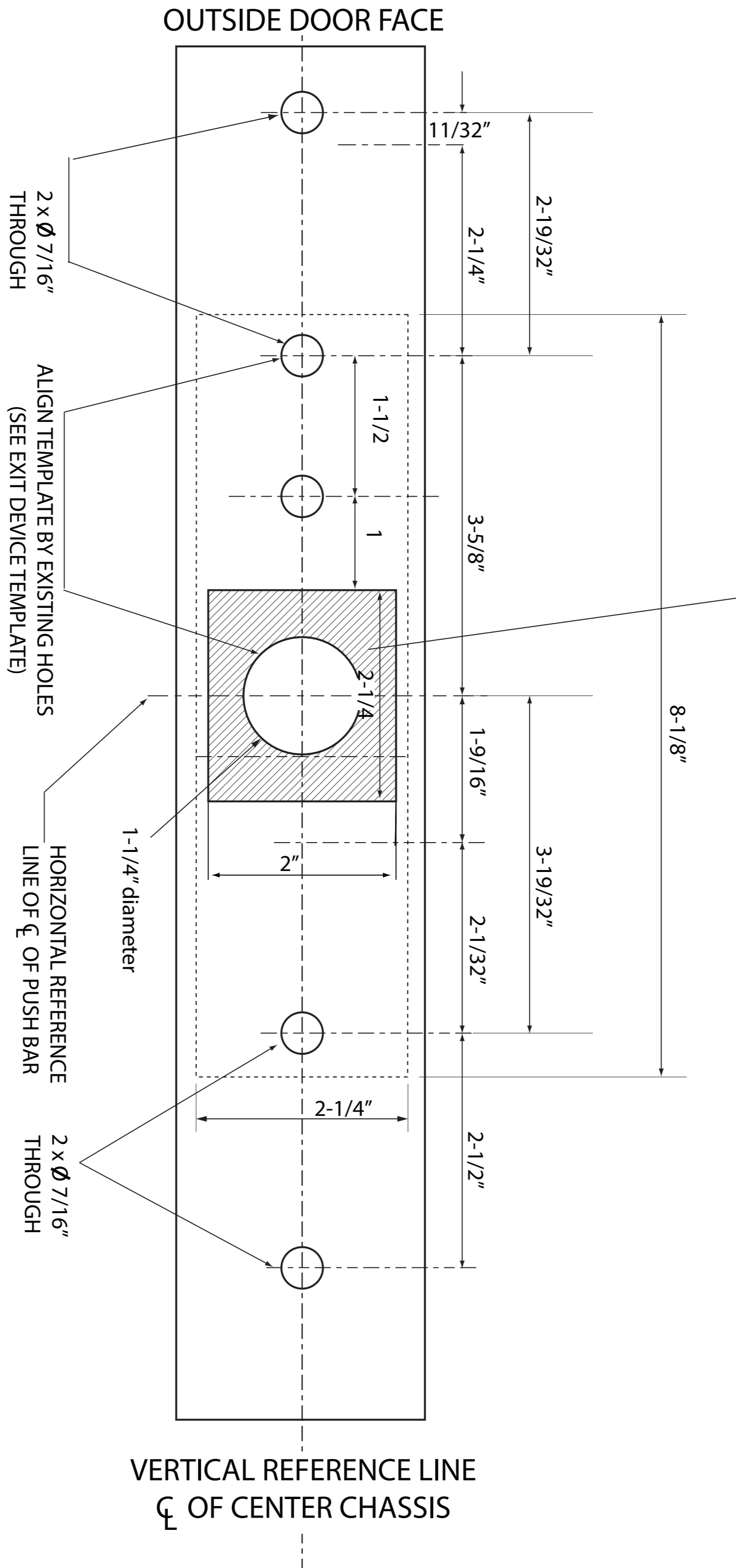


# TEMPLATE FOR 98TP-30



FOR HOLLOW METAL DOOR: MACHINE OUTSIDE FACE ONLY.  
FOR WOOD DOOR: CUT OUT 1-1/2" DEEP ON THE OUTSIDE FACE OF THE DOOR.